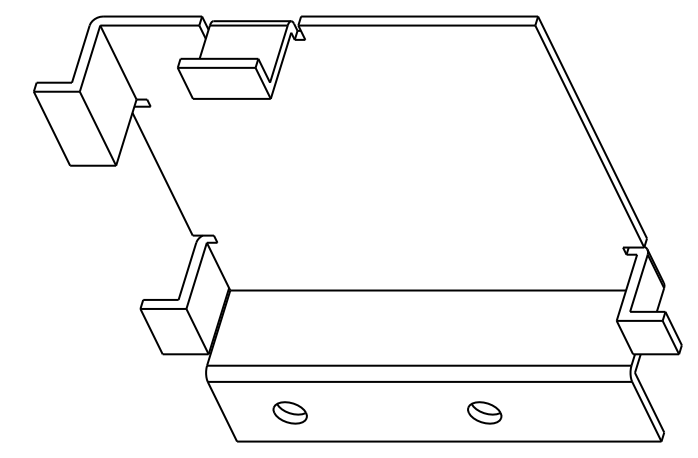
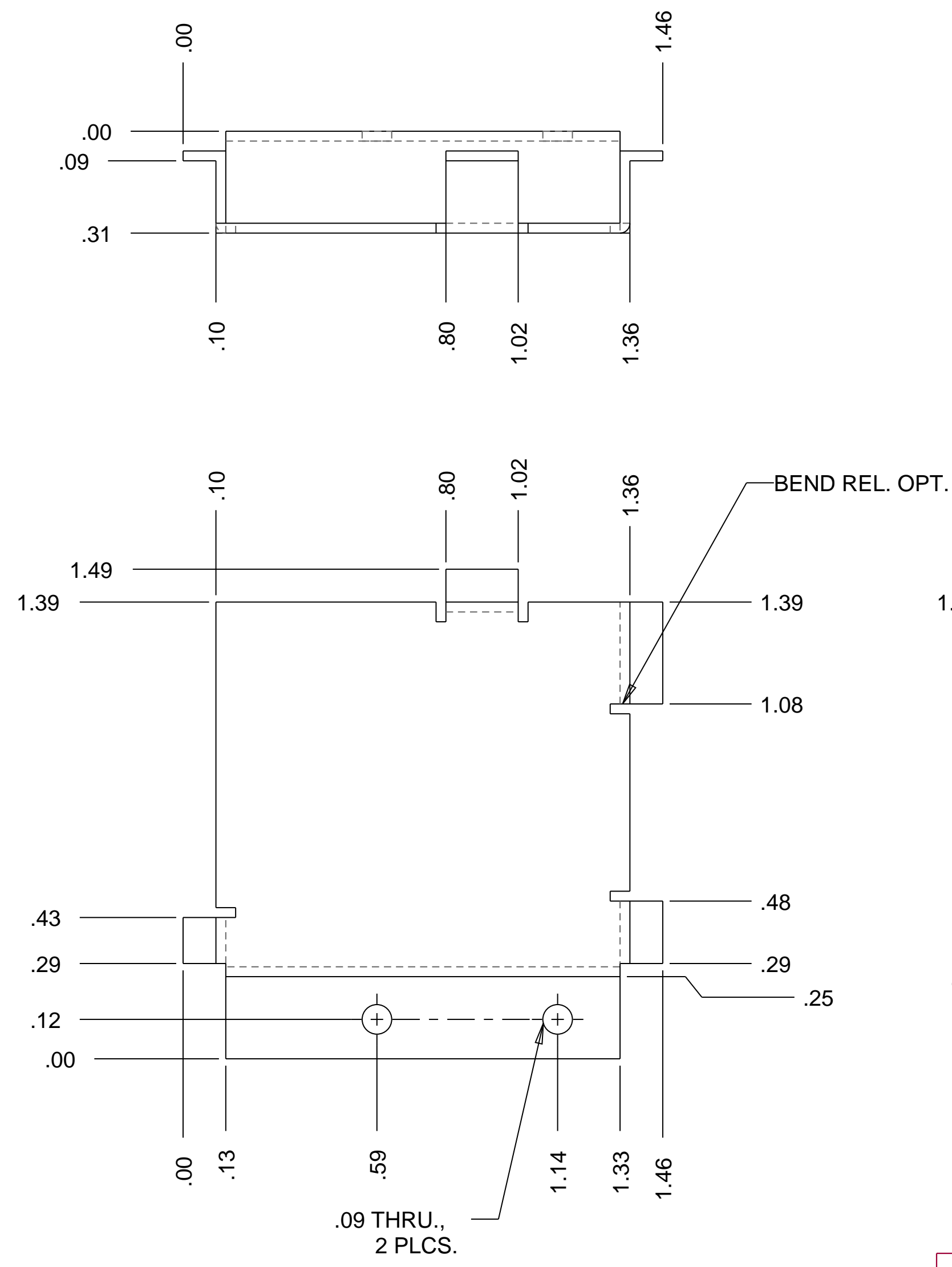


REV. LETTER	D'WN BY	CHK BY	DATE	CHANGES
-	-	-	-	-
-	-	-	-	-



SCALE 2.000

NOTES:

1. MATERIAL: COPPER .03 THK. STK.
2. FINISH: NONE.

MACH. PROG. No.	
MACH. PROG. No.	
MACH. PROG. No.	

FOR MITRE PROTOTYPE FABRICATION ONLY. DRAWINGS NOT COMPLETE FOR OUTSIDE FABRICATION

GROUP	QTY	FIND NO.	DESCRIPTION	PART NO.	MATERIAL	MFR/CODE
4	3	2	1	1	-	MITRE
UNLESS OTHERWISE SPECIFIED DIMENSIONS ARE IN INCHES			DESIGN TEAM	E53D PROTOTYPE DEVELOPMENT DEPARTMENT 202 BURLINGTON ROAD BEDFORD MA 01730 (617) 271-2000		
TOLERANCES ON DECIMALS ANGLES			DRAFTER MARC PEPI 9/24/07	MITRE TITLE CIRCUIT BOARD COVER UAT ENCLOSURE		
.XX ± .01 ± 1/2 °			CHECKER			
.XXX ± .005 ± -			REQUESTER	DRAWING NUMBER 200-2146-07 REV. X1		
FINISH:			RELEASE	SIZE C		
PAINT: SILK-SCREEN			DEPT. FO84	JOB NO. RD-2146		
			PROJECT 02MSR055-M2	SCALE: -		
NEXT ASSEMBLY			CODE IDENT. NUMBER 4B080	LBS: -		
			DO NOT SCALE	Sheet of -		