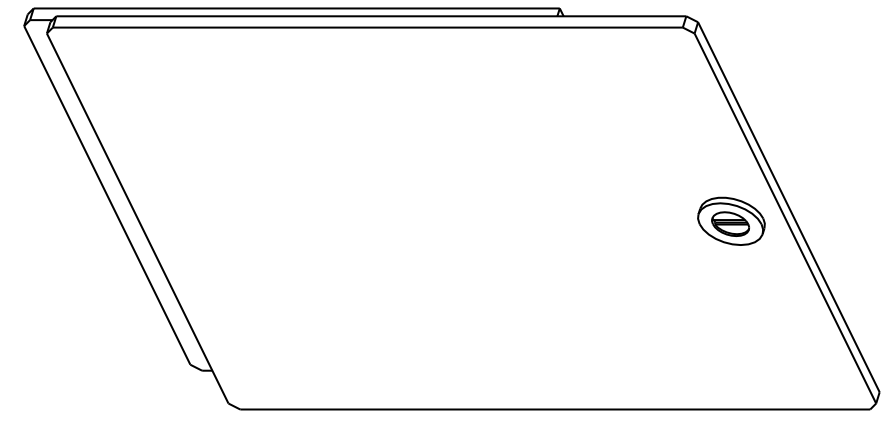
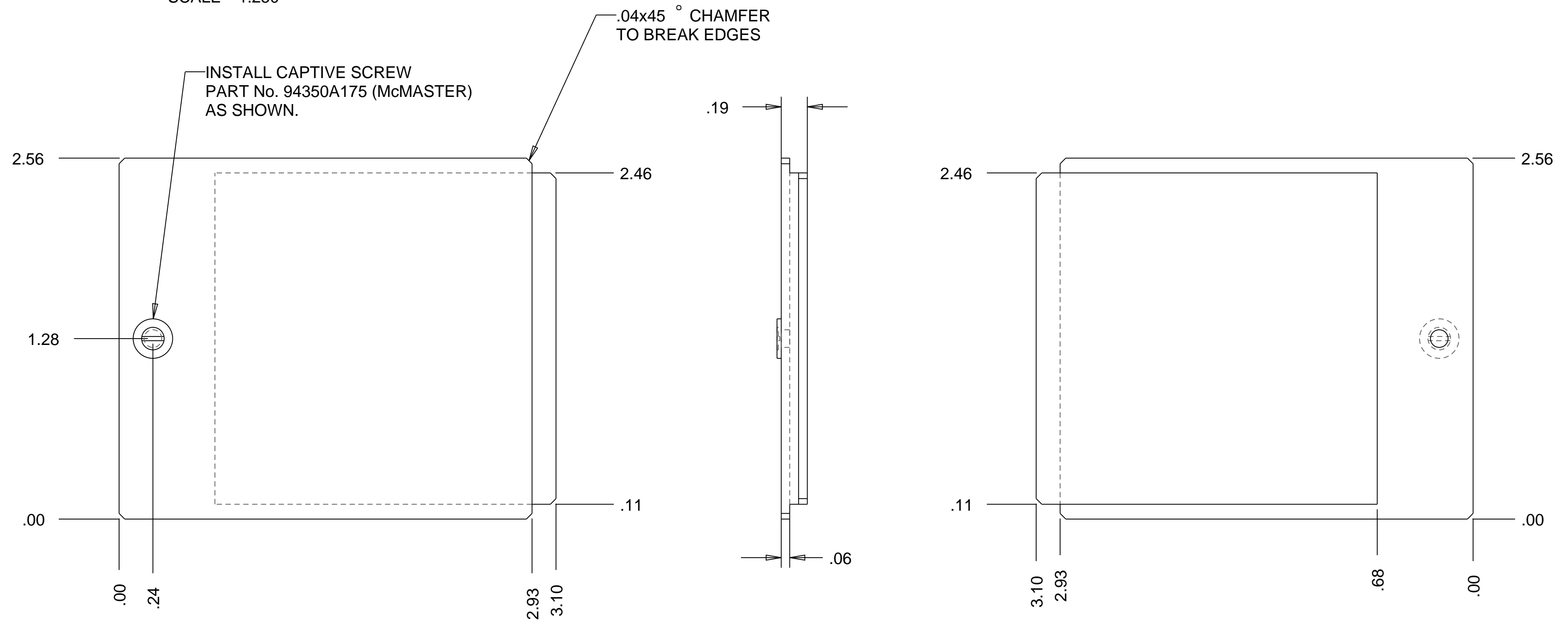


REV. LETTER	D'WN BY	CHK BY	DATE	CHANGES
-	-	-	-	-
-	-	-	-	-



SCALE 1.250



NOTES:

1. MATERIAL: ALUMINUM 6061-T6.
2. MAKE IN THREE PIECES RIVITED TOGETHER.
3. FINISH: PAINT ALL OVER PLATINUM 2797.

MACH. PROG. No.	
MACH. PROG. No.	
MACH. PROG. No.	

FOR MITRE PROTOTYPE FABRICATION ONLY. DRAWINGS NOT COMPLETE FOR OUTSIDE FABRICATION

GROUP	QTY	FIND NO.	DESCRIPTION	PART NO.	MATERIAL	MFR/CODE
4	3	2	1	1	-	MITRE
UNLESS OTHERWISE SPECIFIED DIMENSIONS ARE IN INCHES			DESIGN TEAM NAME DATE			
TOLERANCES ON DECIMALS ANGLES			DRAFTER MARC PEPI 3/7/07			
.XX ± .01 ± 1/2°			CHECKER -			
.XXX ± .005 ± -			REQUESTER -			
FINISH:			RELEASE -			
PAINT: SILK-SCREEN			DEPT. F084 JOB NO. RD-2146			
NEXT ASSEMBLY			PROJECT 02MSR055M-2			
			CODE IDENT. NUMBER		SIZE	
			4B080		C	
			DO NOT SCALE		DRAWING NUMBER	
					200-2146-06 REV. X1	
			SCALE: -		LBS: -	
					Sheet of -	

MITRE
 E53D
 PROTOTYPE DEVELOPMENT DEPARTMENT
 202 BURLINGTON ROAD
 BEDFORD MA 01730
 (617) 271-2000

TITLE
BATTERY COVER UAT ENCLOSURE