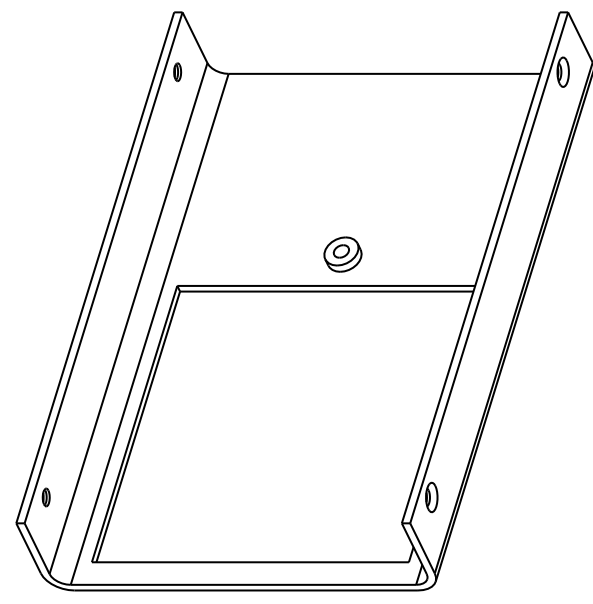
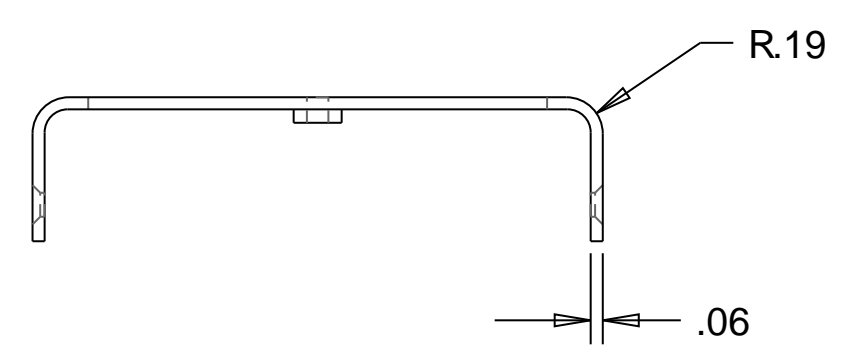
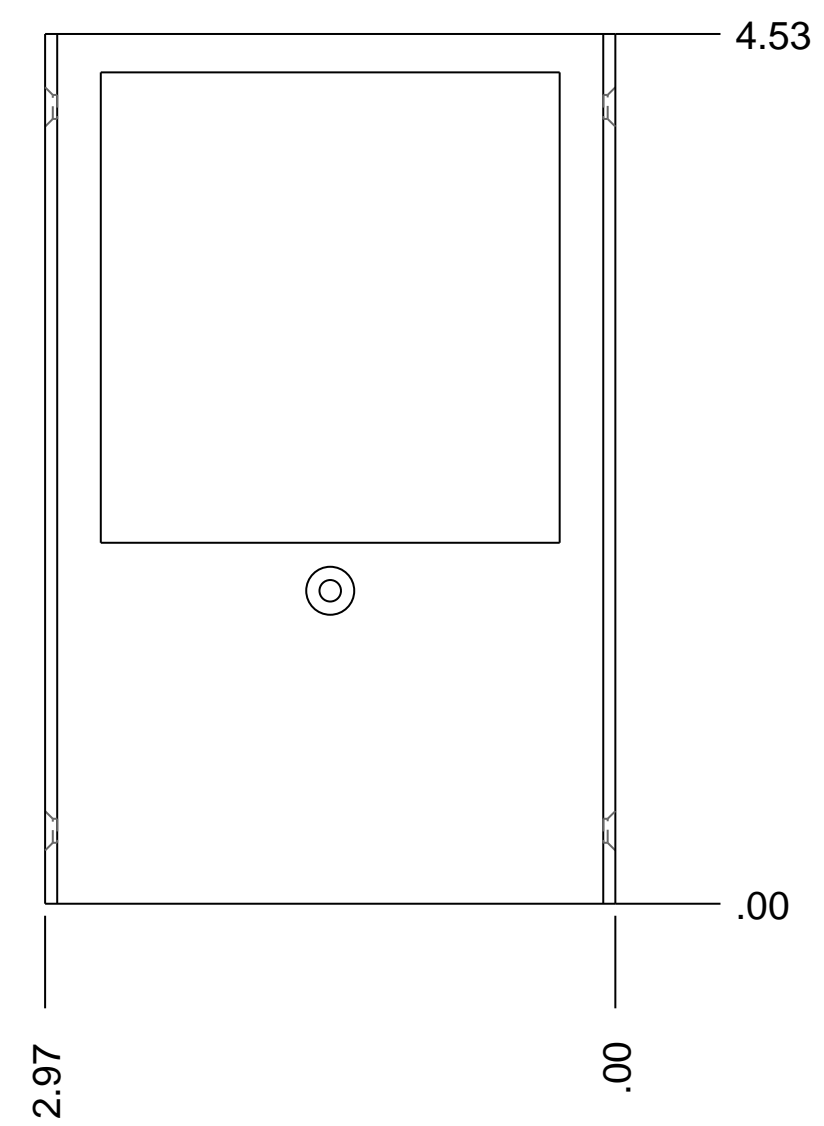
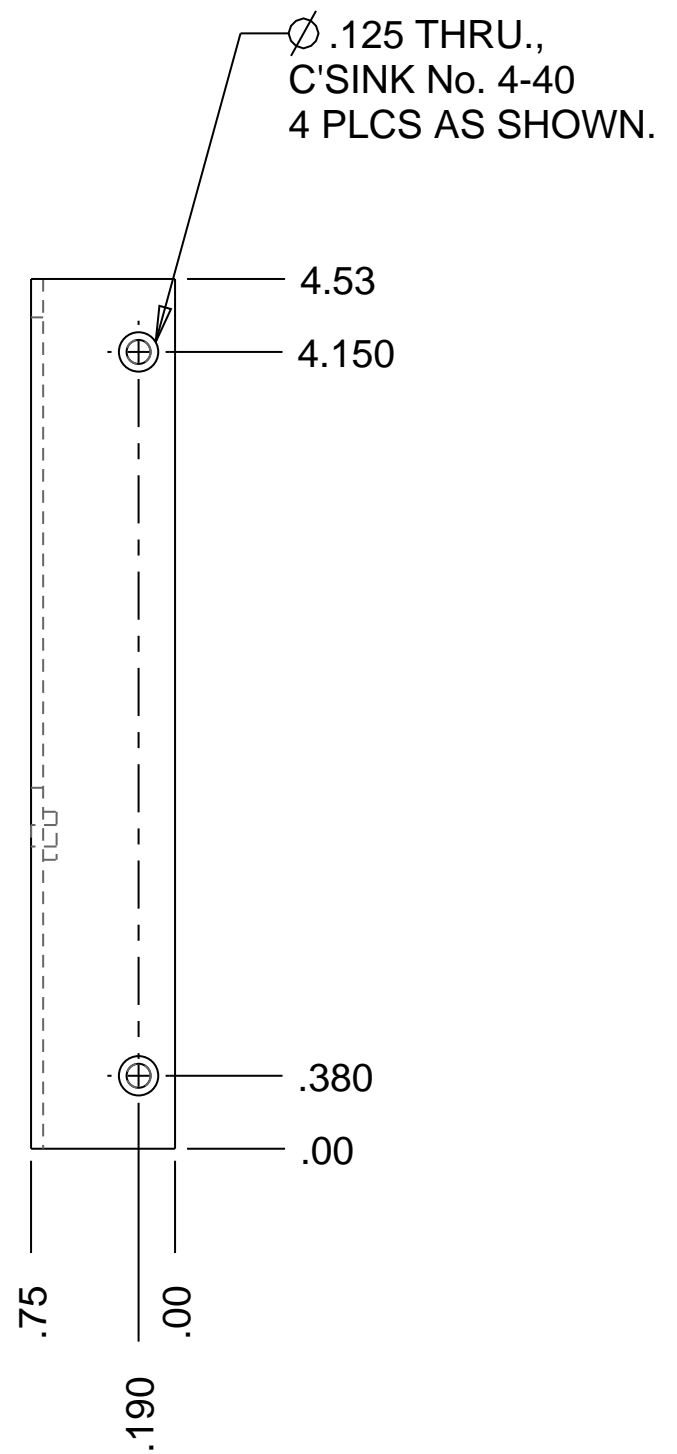
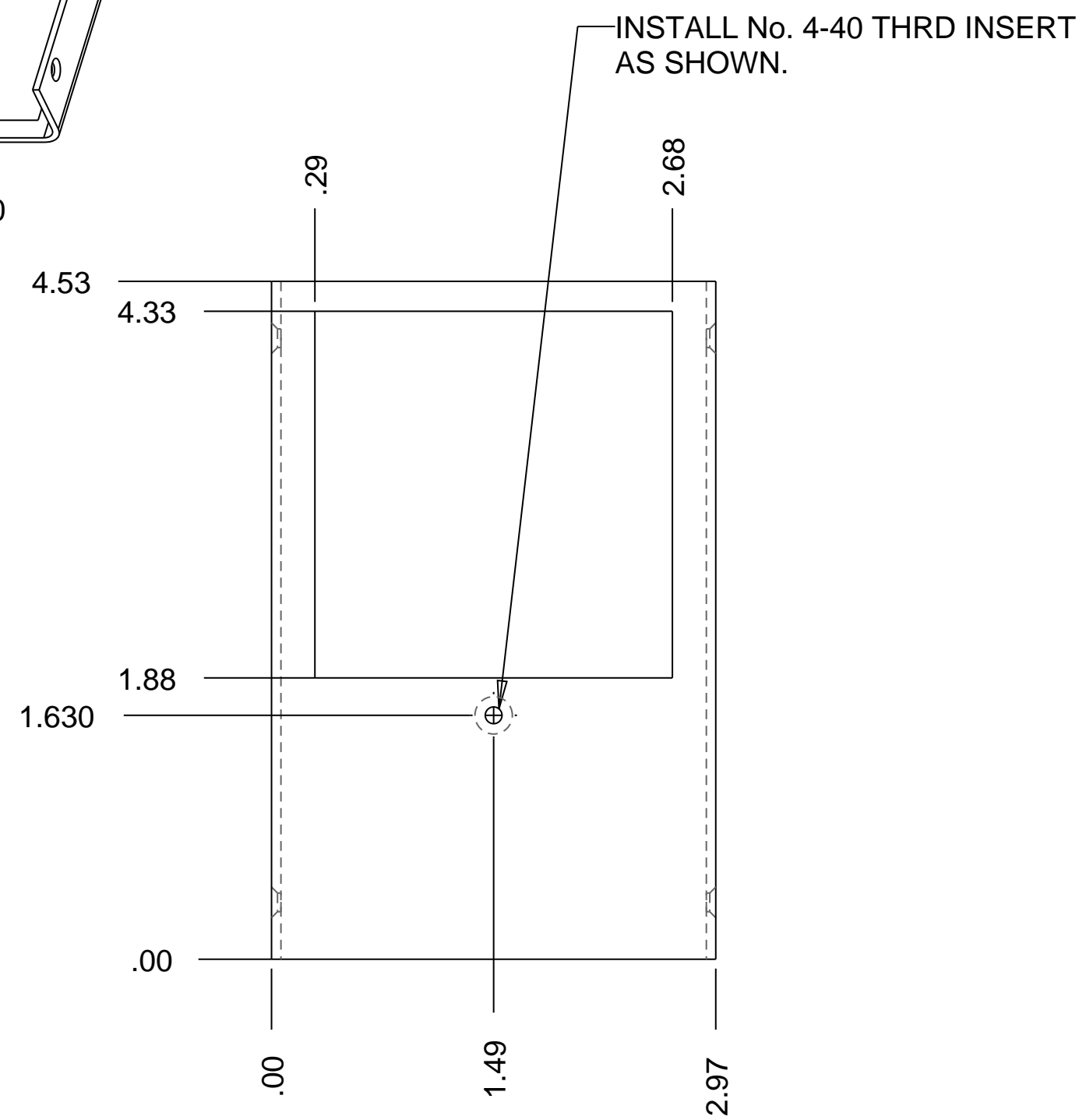


REV. LETTER	D'WN BY	CHK BY	DATE	CHANGES
-	-	-	-	-
-	-	-	-	-



SCALE 0.750



NOTES:

1. MATERIAL: ALUMINUM 5052-H32, .06 THK. STK.
2. PAINT OUTSIDE SURFACE ONLY PALATINUM 2797. MASK ALL HOLES AND C'SINK SURFACES

MACH. PROG. No.	
MACH. PROG. No.	
MACH. PROG. No.	

FOR MITRE PROTOTYPE FABRICATION ONLY. DRAWINGS NOT COMPLETE FOR OUTSIDE FABRICATION

GROUP	QTY	FIND NO.	DESCRIPTION	PART NO.	MATERIAL	MFR/CODE
4	3	2	1	1	-	MITRE
UNLESS OTHERWISE SPECIFIED DIMENSIONS ARE IN INCHES			DESIGN TEAM NAME DATE		E53D PROTOTYPE DEVELOPMENT DEPARTMENT 202 BURLINGTON ROAD BEDFORD MA 01730 (617) 271-2000	
TOLERANCES ON DECIMALS ANGLES			DRAFTER MARC PEPI 3/8/07		MITRE	
.XX ± .01 ± 1/2 °			CHECKER -			
.XXX ± .005 ± -			REQUESTER -		TITLE COVER, LOWER UAT ENCLOSURE	
FINISH: -			RELEASE -			
PAINT: SILK-SCREEN			DEPT. F084 JOB NO. RD-2146		DRAWING NUMBER 200-2146-03 REV. X1	
NEXT ASSEMBLY -			PROJECT 02MSR055-M2			
			CODE IDENT. NUMBER 4B080		SIZE C	
			DO NOT SCALE		SCALE: - LBS: - Sheet of -	