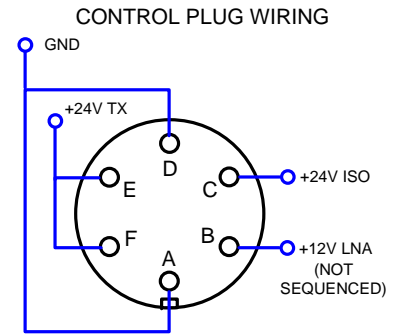
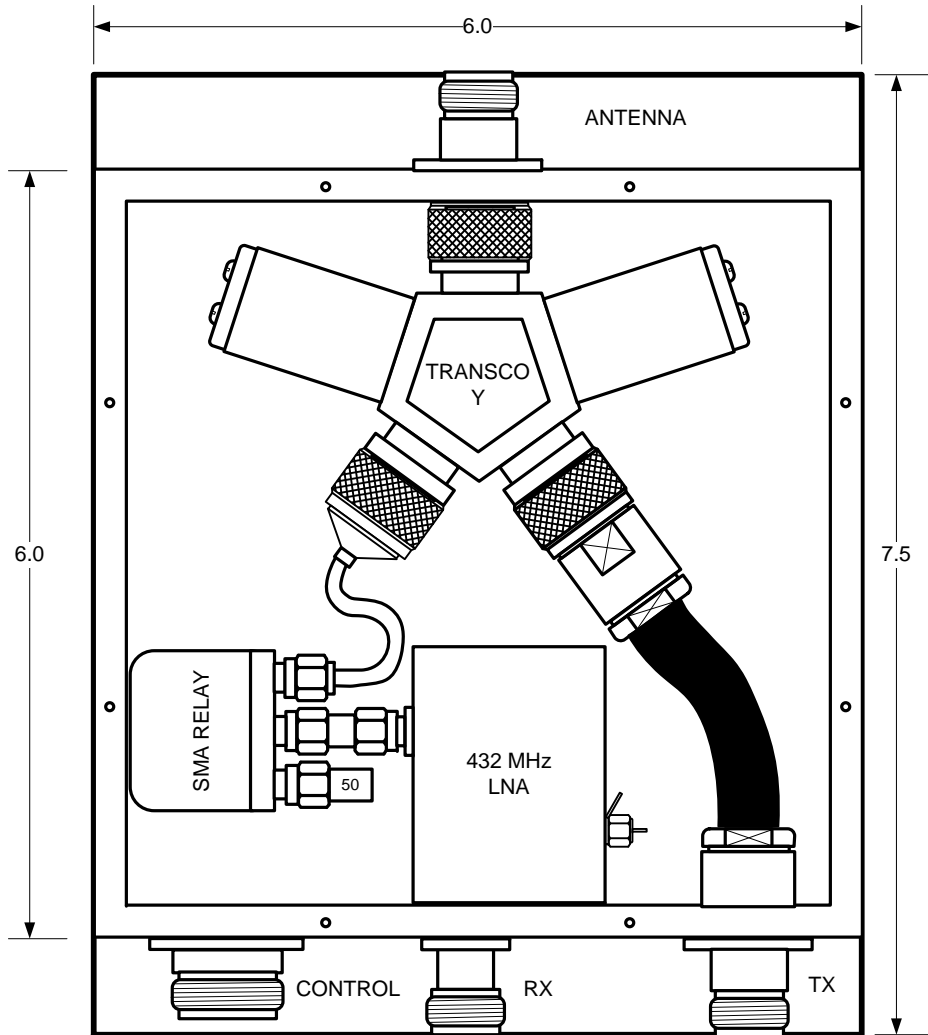



# LNA-RELAY ENCLOSURE



- A LNA/TRANSKO - GND
- B LNA +12V
- C ISO RELAY +24V
- D ISO RELAY GND
- E TRANSKO +24V (NC=RX)
- F TRANSKO +24V (NO=RX)

**NOTE:** RX CONDITIONS:  
 BOTH COILS ON TRANSKO  
 DE-ENERGIZED = RX  
 AND  
 ISOLATION RELAY  
 ENERGIZED = RX

	ANCHORAGE, ALASKA			
	HIGH POWER RELAY – LOW NOISE AMPLIFIER			
TRANSKO	SIZE	FSCM NO	DWG NO PTT-HPLNA-001	REV
432 MHz	SCALE	1 : 1	SHEET	1 OF 1